



## ALASKA - ALR

ALR: ALASKA REMOTE COMPRESSOR  
REFRIGERATED

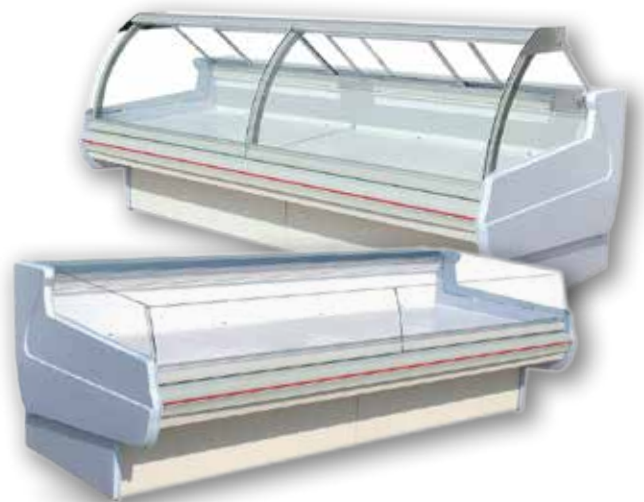
### COMMERCIAL LINE — DISPLAY CASES



COUNTER /  
SELF SERVICE

#### Features & Benefits:

- Single Deck, Curved Glass Counter Service or Open Self-Service Display Case provides optimum merchandising
- Easily join the Open Case, Glass Enclosed Case and/or Corner option for dual service and maximum product display.
- 90° Inner or Outer Corner available for unique and extended display.
- Durable Galvanneal Steel Structure and choice of RAL powered coated paint for additional protection. (Inside and outside can be painted different at no additional cost)
- Different temperature ranges can be set according to application: +5°C to 0°C\*\*
- Stainless Steel Rear Work Table.
- Three-layer uniformed air circulation maintains optimal product temperature and eliminates frosting blockage issues.
- Easy Maintenance: reduce labor time and costs with easy access under the Display Case.
- Attractive bumper system for protection.



**COUNTER SERVICE  
(ENCLOSED)**



**SELF SERVICE  
(OPEN)**



**CORNER OPTION  
AVAILABLE**



**Standard Options:**

- Available lengths: **12** (1250mm), **18** (1875mm), **25** (2500mm), **37** (3750mm) can be joined together to meet layout requirements.
- Enclosed Case: Front loading, lift-able, curved, impact resistant glass and rear loading/service sliding glass doors.
- Lighting for Enclosed Case: Standard T8 Fluorescent electronic ballasts do not flicker.
- End Wall Panel: Polyurethane w/Glass or Polyurethane w/Glass Divider.
- Timed-Off Defrost delivers lower energy consumption and operation costs.\*\*
- Thermostatic Expansion Valve with Balanced Port for better control of superheat (Danfoss or Sporlan brand).
- Fan Motor: EBM brand, AC type (Standard Efficiency).
- High efficiency blower coil design with corrugated aluminum fins and variable spacing augment efficiency and allow for more frost build-up before defrosting becomes necessary.
- Controllers: Carel brand standard.

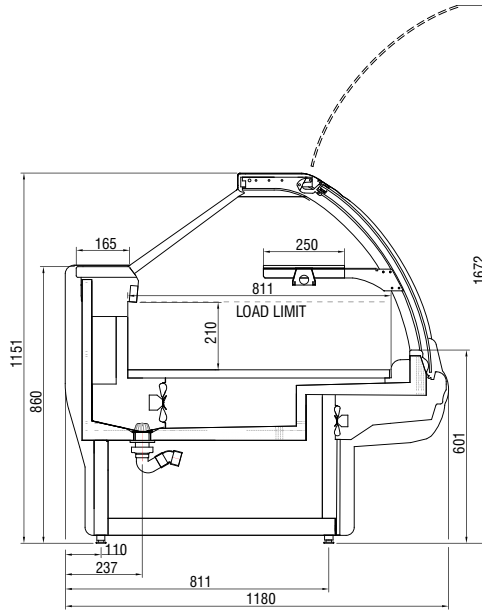
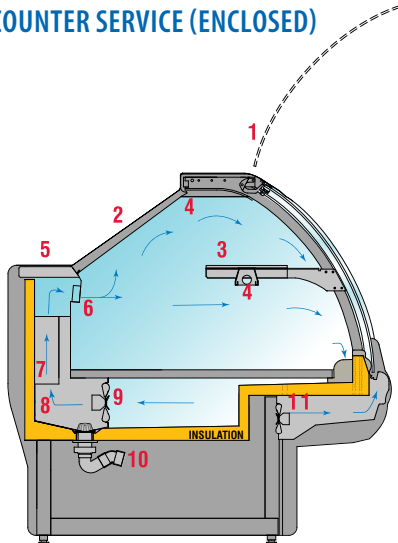
**Additional Options:**

- Lighting for Enclosed Case: White LED, Warm Fluorescent.
- "MAL" Motion Activated Lighting.
- Stainless Steel Internal Parts Options.
- Organic Glass Lighted Shelf for Enclosed Case.
- Defrost: Electric or Hot Gas.\*\*
- EV2 electronic Expansion Valve saves 10% energy (Carel brand.).\*
- Controllers: Various Carel or other brand options available.

*\*For specific control type. Contact us for more details.*

*\*\*Open Case requires Electric or Hot Gas defrost for Meat/Fresh Fish application.*

### COUNTER SERVICE (ENCLOSED)

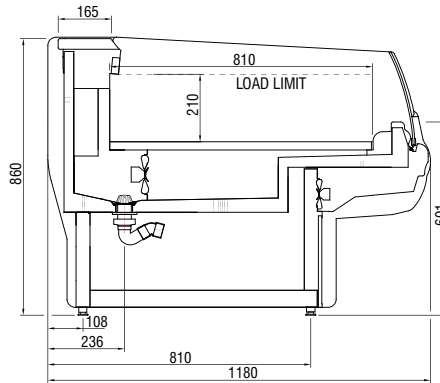
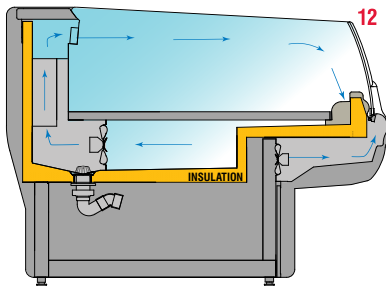


1. Curved Glass\*
2. Rear Sliding Glass Doors\*
3. Optional Shelf\*
4. Lighting (Canopy & Shelf)\*
5. Rear Work Table
6. Air Curtain
7. Coil
8. Plenum
9. Fan Motor
10. Drain
11. Anti-Sweat Fan for Glass
12. Glass\*\*

\*Enclosed Case Only

\*\*Open Case Only

### SELF SERVICE (OPEN)

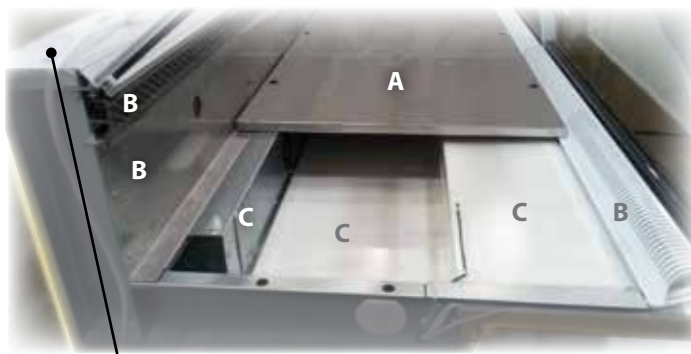


CAPACITIES (According to AHRI 1200 Standard Guidelines)						
		12 (1250mm)	18 (1875mm)	25 (2500mm)	37 (3750mm)	Ae
Service (Enclosed)	DA: (Display Area) (m <sup>2</sup> )	1.18	1.76	2.35	3.53	0.28
	RV: (Refrigerated Volume)* (m <sup>3</sup> )	0.213	0.319	0.425	0.638	n/a
Self Service (Open)	DA: (Display Area) (m <sup>2</sup> )	1.23	1.84	2.46	3.69	0.06
	RV: (Refrigerated Volume)* (m <sup>3</sup> )	0.213	0.319	0.425	0.638	n/a

TDA: (Total Display Area) = DA + Ae

Ae = Projected area from End Wall Panel w/Glass

### STAINLESS STEEL INTERNAL PARTS OPTIONS



Rear Work Table is made of Stainless Steel (Standard).

The Internal Parts come Standard as Galvanneal Steel with powder coating, however, you can choose to have some or all of the Internal Parts made of Stainless Steel.

#### Stainless Steel Options:

**A — AS: Deck/Base Only**

**A+B — BS: Viewable Area**

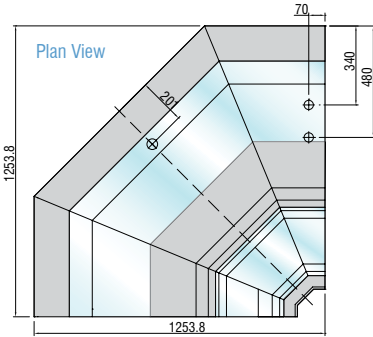
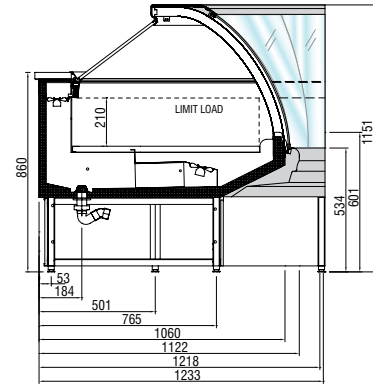
*Includes A + B (Back Wall, Air Supply and Return Air Louvers.)*

**A+B+C — CS: All Stainless Steel**

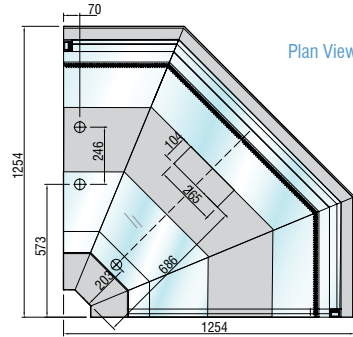
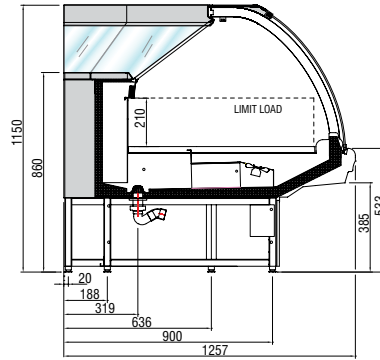
*Includes A + B + C (Coil Cover and Inside Chamber Plate)*

**INNER / OUTER CORNER OPTIONS - COUNTER SERVICE (ENCLOSED) & SELF SERVICE (OPEN)**

**Inner Corner**



**Outer Corner**

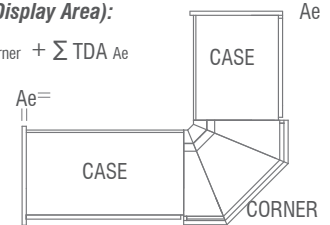


CAPACITIES   ACCORDING TO AHRI 1200 STANDARD GUIDELINES		
	DA: Display Area (m <sup>2</sup> )	RV: Refrigerated Volume (m <sup>3</sup> )
Service (Enclosed) - 9I: 90° Inner	0.92	0.197
Service (Enclosed) - 9O: 90° Outer	0.197	0.228
<b>Ae</b>	0.44	n/a
Self Service (Open) - 9I: 90° Inner	0.06	0.197
Self Service (Open) - 9I: 90° Outer	1.16	0.228
<b>Ae</b>	0.06	n/a

TDA: (Total Display Area) = DA + Ae  
 Ae = Projected area from End Wall Panel w/Glass

**How to calculate TDA (Total Display Area):**

$TDA = \sum TDA_{Case} + \sum TDA_{Corner} + \sum TDA_{Ae}$



**NOMENCLATURE: COUNTER/SELF SERVICE REFRIGERATED**

**ALASKA R C 18 U A 1 44 1 0 C1 CS 0 0 0 EB BBB**

**Product**  
 Alaska R: Remote Compressor  
 Pittsburgh R: Remote Compressor  
 Alaska S: Self-Contained  
 Pittsburgh S: Self-Contained

**Service Type**  
 C: Counter Service (Enclosed)    S: Self Service (Open)

**Length**      **Corner**  
 12: (1250mm)    9I: 90° Inner\*  
 18: (1875mm)    9O: 90° Outer  
 25: (2500mm)    \*Not available for Pittsburgh.  
 37: (3750mm)

**Application**  
 M: Meat / Fresh Fish    U: Beverage / Dairy / Deli / Produce

**Defrost**      \*Required for Open Case with "M" application  
 A: Timed Off    E: Electric\*    G: Hot Gas\*

**Lighting (Enclosed Case Only)**  
 0: None    1: T8 Fluorescent    2: Warm Fluorescent<sup>1</sup>    3: White LED  
 4: MAL<sup>2</sup> T8 Fluorescent    5: MAL<sup>2</sup> Warm Fluorescent<sup>1</sup>    6: MAL<sup>2</sup> White LED

**Refrigerant**  
 13: 134A    44: R404A    47: R407A/C    74: CO2    GL: Glycol

**Electricity**  
 1: 208-230V / 3PH / 60HZ    4: 220V / 3PH / 50HZ    6: 208-230V / 1PH / 60HZ  
 7: 220V / 1PH / 50HZ    8: 115V / 1PH / 60HZ    9: "S" Special Voltage

**RAL Color: Outside | Inside | Bumper<sup>7</sup>**  
 W: White 9010    4: Blue 5012  
 B: Black 9005    5: Green 6018  
 1: Yellow 1021    6: Gray 7042  
 2: Orange 2008    7: Gray 9006  
 3: Red 3002    0: Client Specification

**Base**      \*Not available for Pittsburgh.  
 EB: Enclosed Base    PS: Pedestal Stand\*

**Shelf (Enclosed Case Only)**  
 0: None    1: Organic Glass

**Right End Wall Panel**  
 0: Open<sup>4</sup>    5: PU<sup>5</sup> w/Glass    6: PU<sup>5</sup> w/Glass Divider<sup>6</sup>

**Left End Wall Panel**  
 0: Open<sup>4</sup>    5: PU<sup>5</sup> w/Glass    6: PU<sup>5</sup> w/Glass Divider<sup>6</sup>

**Internal Parts - Stainless Steel Option**  
 00: Standard (Galvanneal + Coating)    BS: Option B (Visible Area)  
 AS: Option A (Deck/Base Only)    CS: Option C (All Stainless Steel)

**Control (Carel brand standard)**  
 C1: PJEZY0H000 w/1    C7: MX30M25H00 w/2, 4  
 C2: IR33C0HB00 w/1, 2    C8: MX30M25H00 w/2, 3, 4  
 C3: MX30M21H00 w/1    DF: Danfoss (Client Specification)  
 C4: MX30M21H00 w/1, 2    DX: Dixell (Client Specification)  
 C5: MX30M21H00 w/1, 2, 3    SP: Sporlan (Client Specification)  
 1: TEX, 2: Light Control, 3: ASHSC<sup>3</sup>, 4: EEV

**Fan**  
 0: EBM AC (Standard Efficiency)    1: EBM EC (High Efficiency)

<sup>1</sup> Standard for Meat Application. Gives richer color to Meat/Fish and Deli Meats/Cold Cuts.  
<sup>2</sup> MAL "Motion Activated Lighting"    <sup>3</sup> ASHSC "Anti-Sweat Heater Smart Control"  
<sup>4</sup> Open when joining cases.    <sup>5</sup> PU "Polyurethane"  
<sup>6</sup> for joining cases with different applications or temperatures    <sup>7</sup> Bumper only available in B & 6



**CORPORATE OFFICE:** 4362 Thurmon Tanner Parkway / Flowery Branch, GA 30542 / USA  
 Tel.: +1-678-714-6991 / Fax: +1-678-714-2357 / Toll Free: 1-855-374-2660  
**Venezuela:** (0251) 710 5067 / **Colombia:** (1) 381 9070 / **Mexico:** (55) 4161 3805  
**Dominican Republic:** (829) 954 8425 / **Peru:** (1) 705 6209 / info@friconusa.com / www.friconusa.com